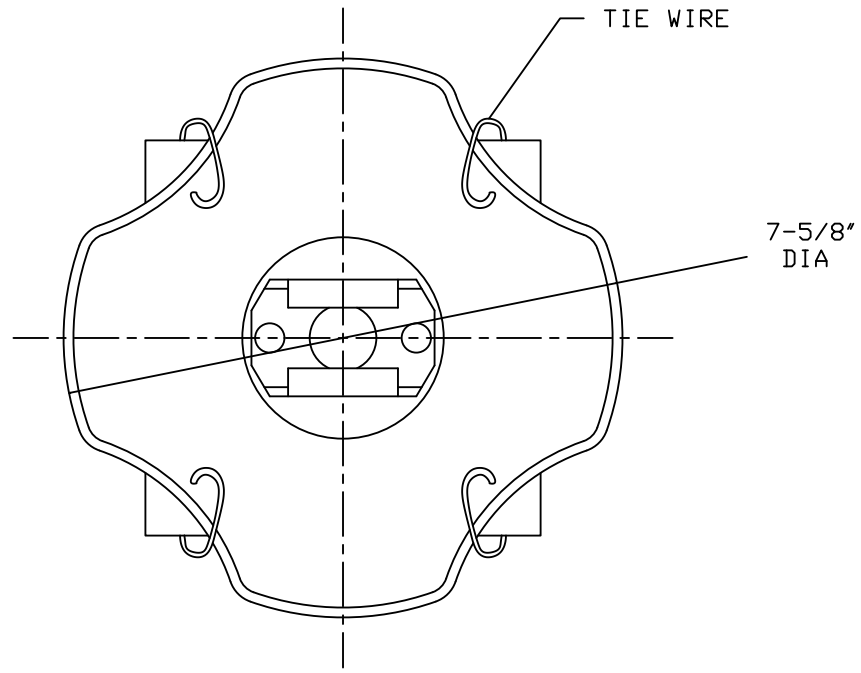
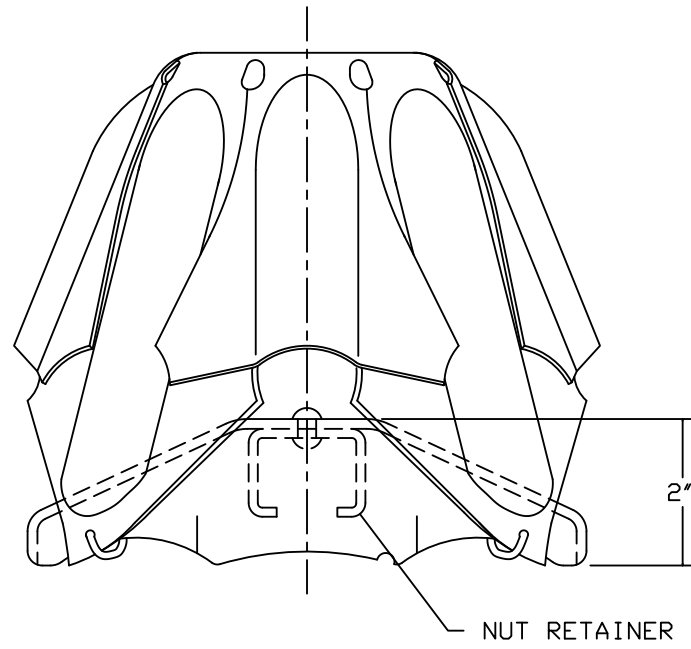


- NOTES-
1. MATERIAL: STEEL DIPPED IN BLACK ASPHALT PAINT
 2. ADD SUFFIX "G" FOR GALVANIZED STEEL
 3. ADD USA SUFFIX TO CATALOG NUMBER FOR BUY AMERICA ITEMS. PURCHASERS OF BUY AMERICA ITEMS WILL BE PROVIDED A DATED CERTIFICATE OF COMPLIANCE TO SPECIFIC BUY AMERICA PROVISIONS IF REQUESTED AT THE TIME OF ORDER. CONTACT HUBBELL POWER SYSTEMS CUSTOMER SERVICE FOR DETAILS.

CATALOG NUMBER	ANCHOR HOLE SIZE	AREA SQ. IN.	ROD SIZE
6870	6"	70	5/8"
88135	8"	135	5/8" DR 3/4"
1082	10"	200	1"
1082-3/4	10"	200	3/4"
1283	12"	300	1-1/4"
1283-1	12"	300	1"



ISO DUAL DIMENSIONS (IF ANY) THIRD ANGLE PROJECTION
 1" = 1 INCH, MM = MILLIMETER

REV.	DATE	BY	APPD
A	11/19/18	ZRM	BLJ

INT.	DATE	SIZE
DRN. SC	10-03-86	C
CHK. SC	10-03-86	
DSGN. DVH	10-03-86	
APPD. JTD	10-03-86	

8-WAY EXPANDING ANCHOR

HUBBELL POWER SYSTEMS **CHANCE** SA88135

CONFIDENTIAL: THIS DRAWING AND ITS CONTENTS ARE CONFIDENTIAL AND THE EXCLUSIVE PROPERTY OF HUBBELL/A. B. CHANCE COMPANY. NO REPLICATION, DISTRIBUTION OR COPIES MAY BE MADE WITHOUT WRITTEN CONSENT BY HUBBELL/A. B. CHANCE COMPANY. © 2000 HUBBELL/A. B. CHANCE. UNPUBLISHED - ALL RIGHTS RESERVED UNDER THE COPYRIGHT LAWS

DO NOT SCALE THIS DWG